

Overview

BACE is the IoT data pipeline created by EVALAN to digitalize any hardware imaginable. The solution is focused on creating reliable bi-directional communication between the device in the field and the cloud application. As such, it consists of two completely integrated parts: the BACE Gateway and the BACE Cloud.

BACE Core is the integrable IoT Gateway that can be added into your assets and products in a quick and easy way. The BACE Cloud provides end-to-end secure connectivity and allows you to manage and store the data collected from your devices.

The integration of BACE as an IoT data pipeline into your software, IoT application or database is possible with a few lines of code and will allow you to continue using your own portals.



Applications

Thanks to the wide range of IoT transport protocols that BACE speaks, it can accommodate countless use-cases in diverse industries to monitor, manage and control assets.

Benefits



Time to Market

Developing an IoT solution from scratch can take years, with BACE you will have a market-ready solution in a few days.



Simple

Out-of-the-box BACE supports millions of devices and integrates into your application with a few lines of code.



Scalable

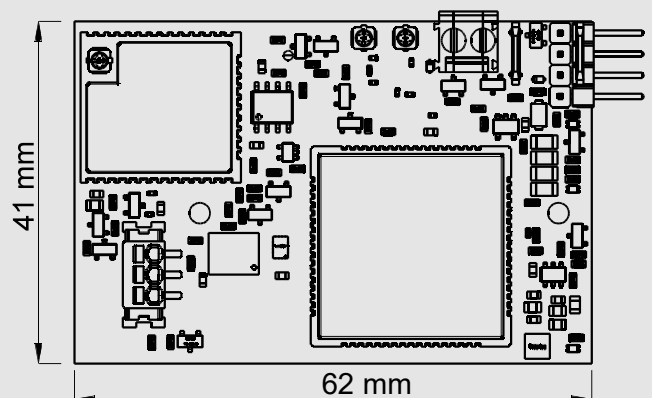
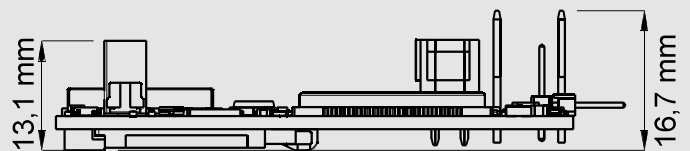
When you decide to scale from a PoC of one device to thousands it will be done keeping the same flow and experience you are used to, and without complexity.



Reliable

You will have the guarantee of a reliable partner that has connected more than 100k devices globally. Furthermore, you'll have the security of over-the-air (OTA) updating and 24/7 monitoring through the BACE Dashboard.

Dimensions



Supported IoT communication protocols

UART

I2C

Low Energy Wireless

TCP sockets via WiFi

Security

Encrypted file system

Secure boot

Secure authentication

Encrypted communication

Other specifications

Operating temperature -30 C° to 80 C°

Supply input voltage 12 VDC

Max power consumption 7W

Dimensions 62mm x 41mm x 17mm

Certification CE

Connectivity to cloud

Built-in cellular modem with e-Sim

Wi-Fi 802.11 b/g/n

Physical interfaces

2-pin terminals for 12V power input

Pin header for I2C or UART

2-pin screw terminal for powering auxiliary device

Accessory options

GPS antenna

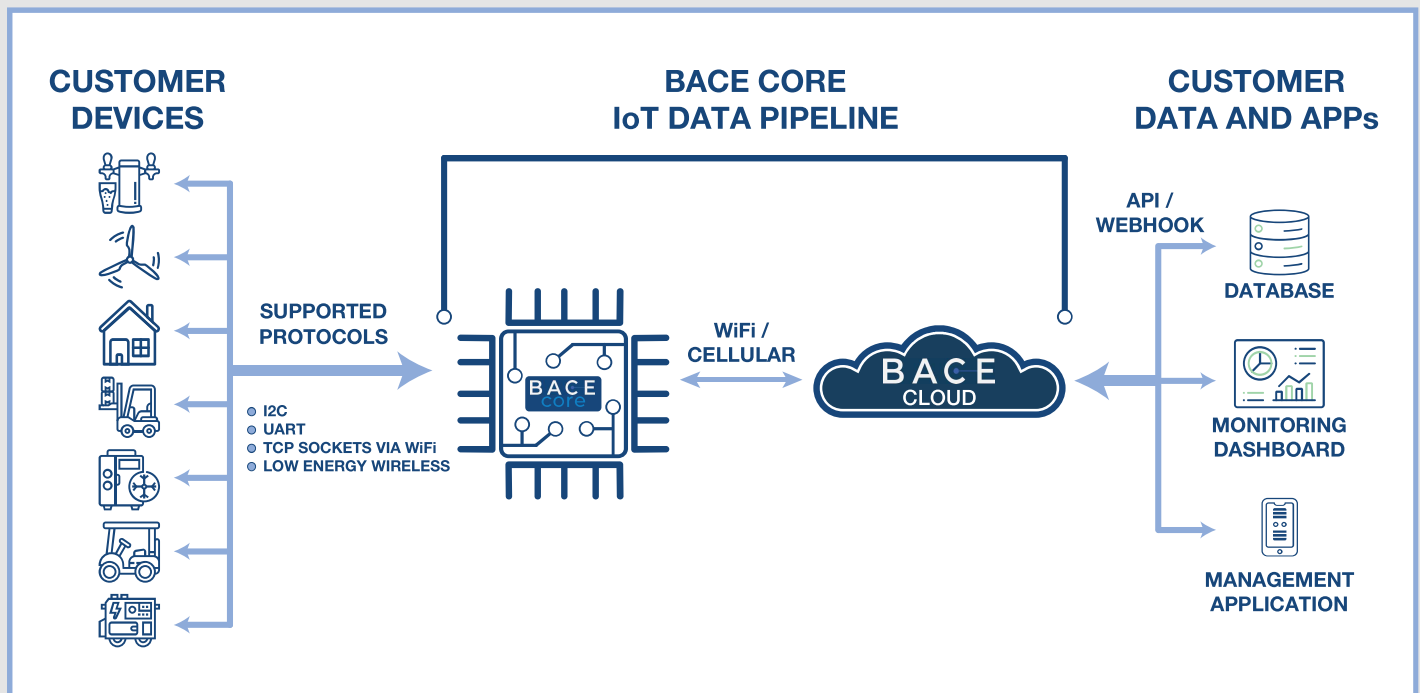
Cellular antenna

WiFi and Bluetooth antenna

Localization

Built-in GPS and GNSS

Cell tower information



*Due to continuous improvements and innovations, specifications may change without notice.

**Datasheet_BACE_Core_v3.02

- © All rights reserved.

+31 20 779 03 44

info@evalan.com

www.evalan.com

Sarphatistraat 638, 1018 AV Amsterdam